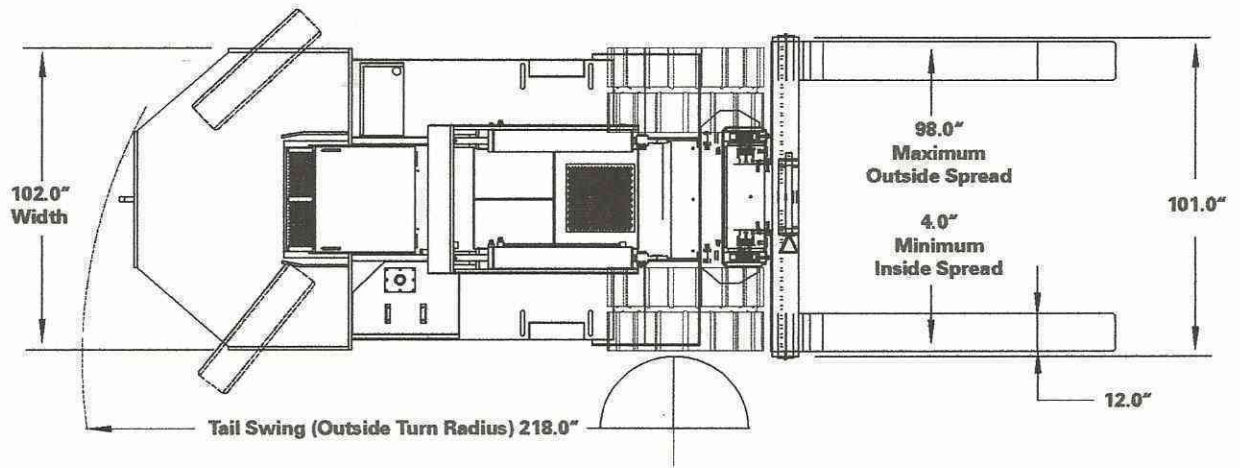
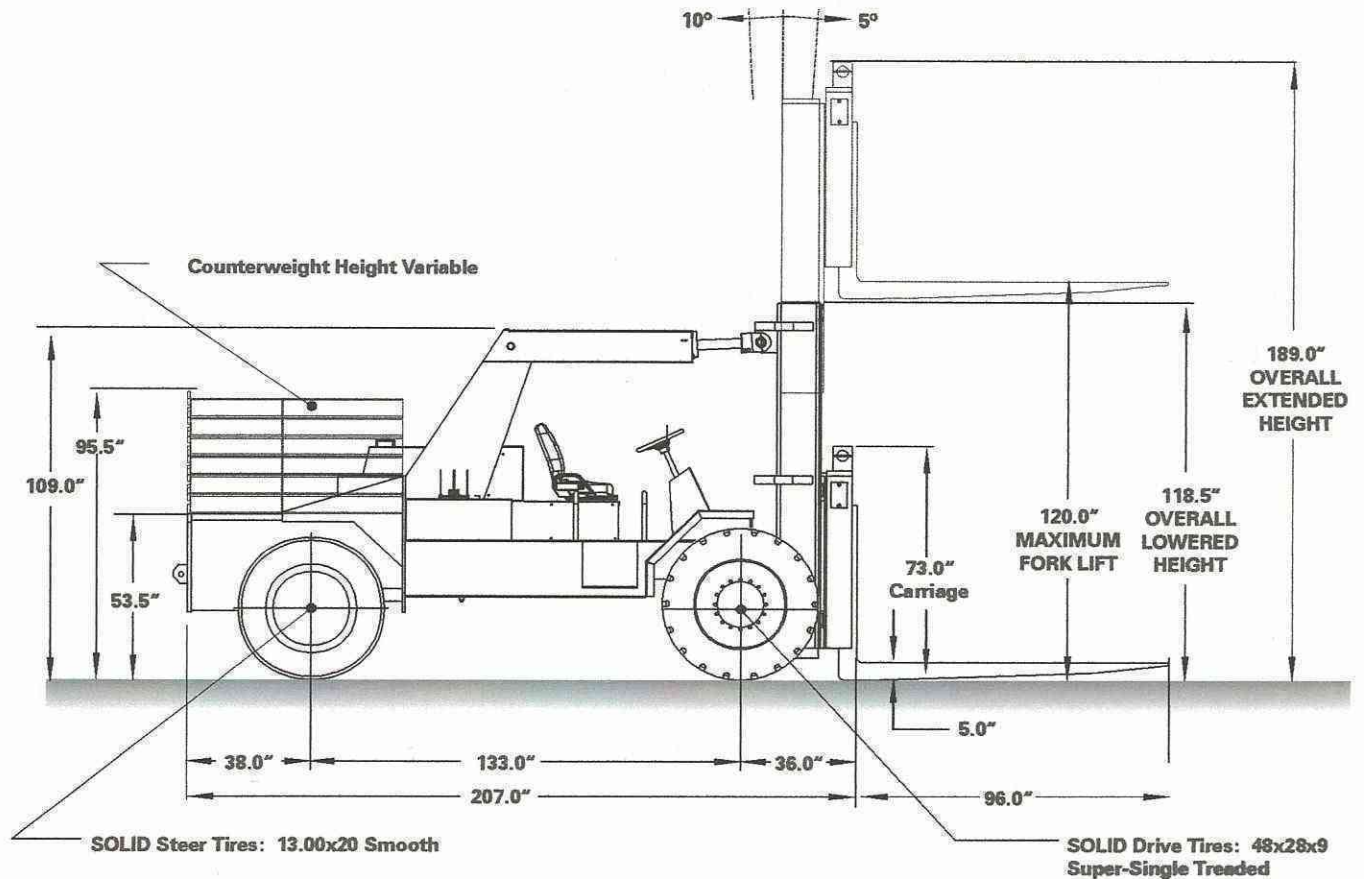


SPECIFICATIONS: Dimensions



NOTE: Nominal performance specifications shown may vary depending on standard manufacturing tolerances, vehicle condition, application, configuration or operating environment. Materials and specifications are subject to change without notice. OSHA & ANSI Compliant.

TRUCK UNDERCLEARANCE

Mast	3.50 in.
Drive-Axle	10.25 in.
Truck Center	14.50 in.
Steer-Axle	17.25 in.
Counterweight	21.00 in.

TRUCK WEIGHT EMPTY	45,200 lbs.
w/ (6) Counterweights	96,200 lbs.