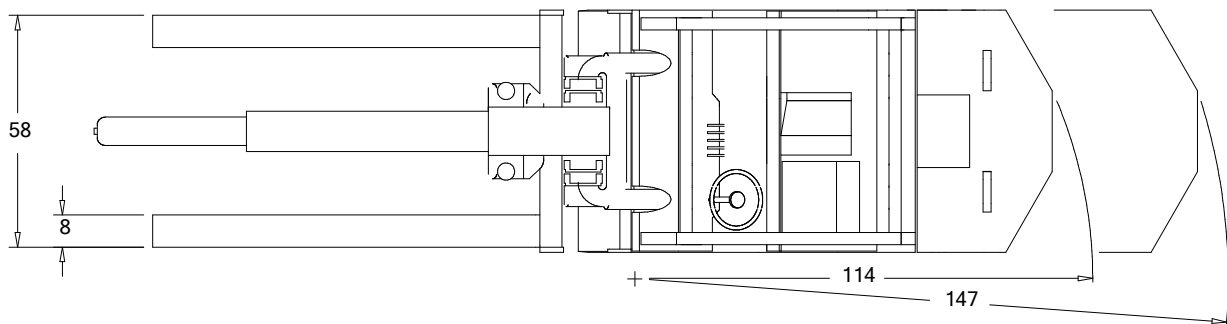
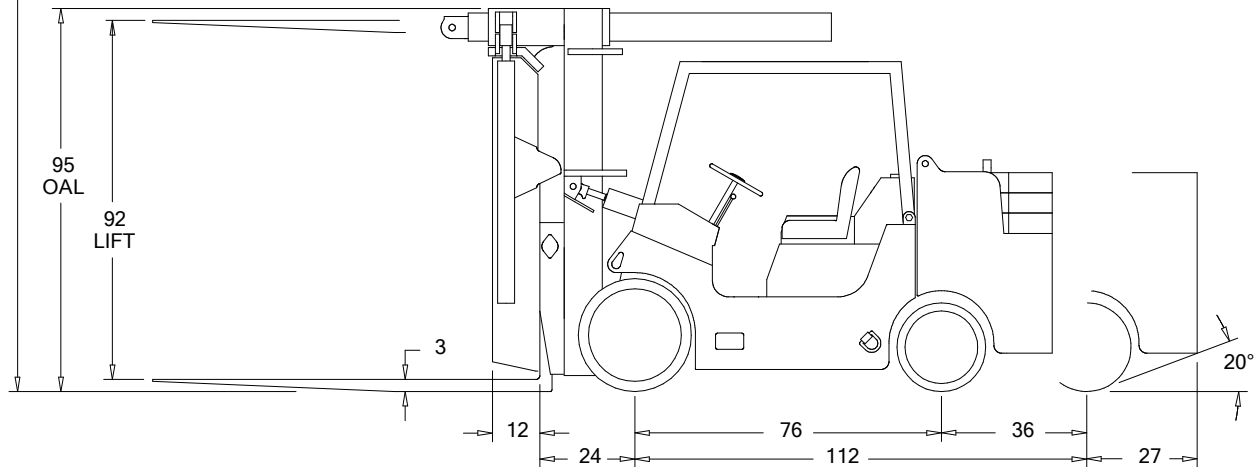
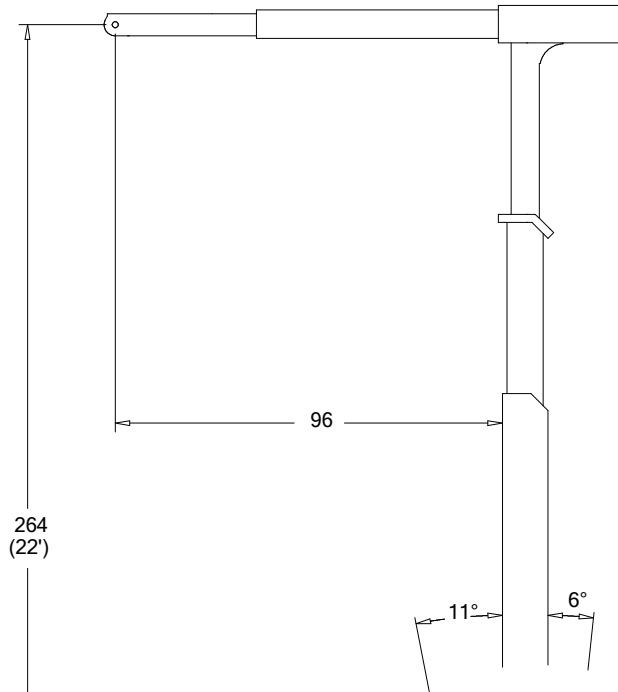


# VERSA-LIFT <sup>25/35</sup>

25000 LBS @ 24" RETRACTED  
 35000 LBS @ 24" EXTENDED

ENGINE: GM 3.0L  
 DRIVE SYSTEM: HYDROSTATIC  
 TIRES: FRONT 28X16 POLY  
 REAR 22X8 POLY  
 GRADE: EMPTY 38%  
 LOADED 17%  
 TILT: FORWARD 11°, BACK 6°  
 WEIGHTS: TOTAL 34500 LBS  
 BOOM 3000 LBS  
 COUNTERWEIGHT 6000 LBS  
 FORKS 1500 LBS



**CUSTOM MOBILE EQUIPMENT, INC.**

439 EAST HIGH STREET, BALDWIN CITY, KS 66006

(785) 594-7474 FAX (785) 594-7475