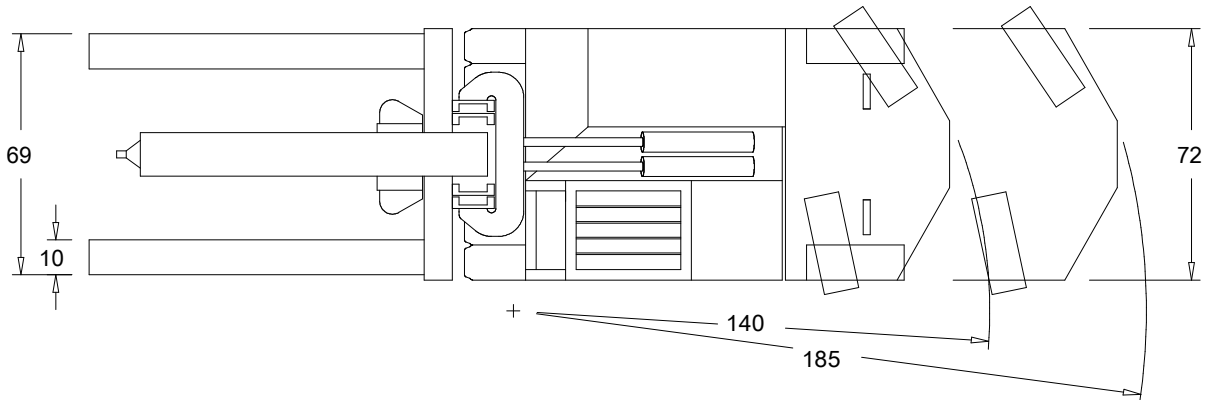
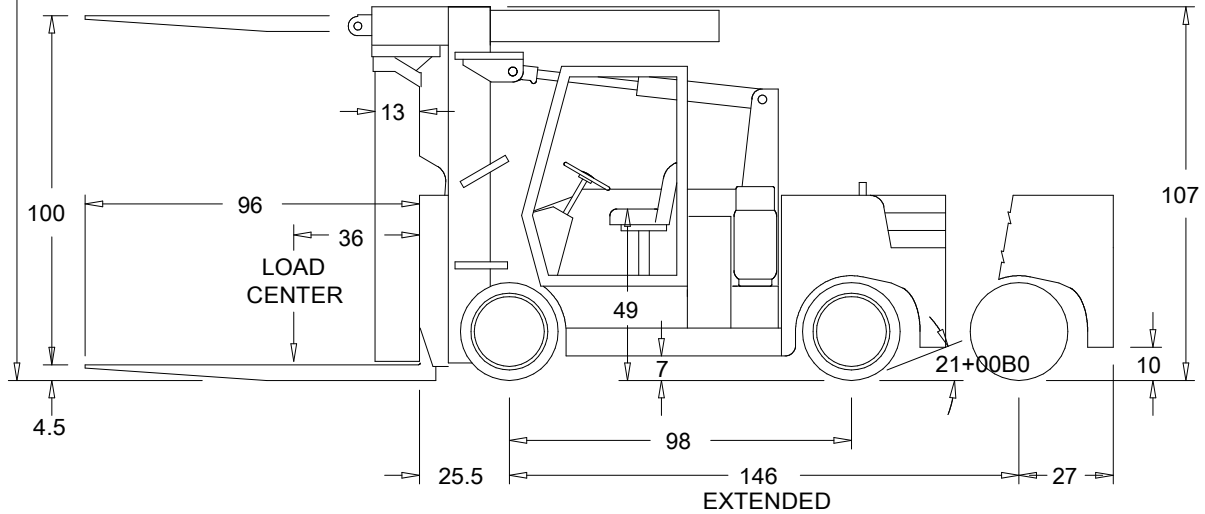
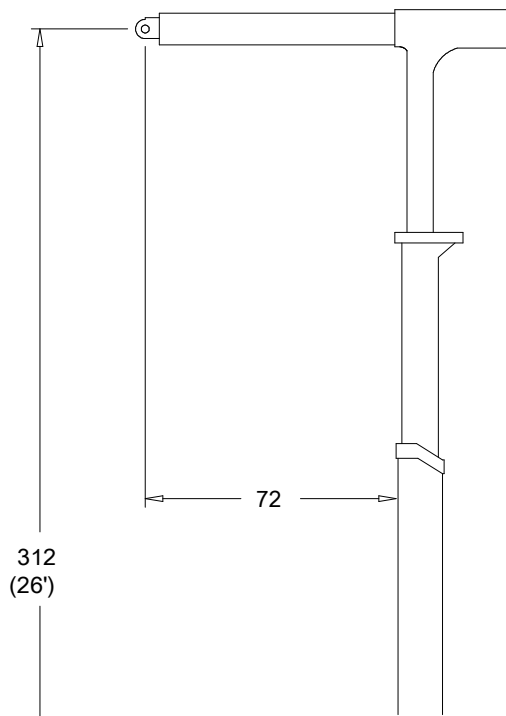


VERSA-LIFT 40/60

40000 LBS @ 36" RETRACTED
60000 LBS @ 36" EXTENDED

ENGINE:	GM 3.0 L
TRANSMISSION:	REXROTH HYDROSTATIC
DRIVE AXLE:	ROCKWELL PLANETARY DRIVE
TIRES:	FRONT 28X10X22 POLY. DUAL REAR 28X10X22 POLY.
GRADE:	EMPTY 47% LOADED 20%
TILT:	FORWARD 12°, BACK 7°
WEIGHTS:	GROSS 57000 LBS COUNTERWEIGHT 15000 LBS BOOM 5500 LBS FORKS 3000 LBS



CUSTOM MOBILE EQUIPMENT, INC.

439 EAST HIGH STREET, BALDWIN CITY, KS 66006

(785) 594 7474 FAX (785) 594 7475